



YL9900 MS

Single Quadrupole Compact Mass Spectrometer for Liquid Sample





What is YL9900 MS?

YL9900 MS quickly provides essential information and improves the chemist's workflow. Modern organic labs have become automated, yet real-time mass assays remain just out of reach.

→ YL9900 MS solves this !

YL 9900 MS is the smartest instrument for performing a mass spec solution, if you are a biopharmaceutical company, academic teaching/research lab or any industry requiring mass assays.

■ YL9900 MS Delivers:

- Positive and negative ions analysis
- ESI / APCI (switchable with minimal effort, optional installation)
- The first mass spec which fits in a fume hood with the sash closed
- Easy access to the YL9900 MS :
10 connectors located on the front of the instrument
(8 I/O connectors, USB port and computer connector)
- Integrated solutions :
 - FIA
 - LC or UPLC
 - Flash
 - Reaction monitoring
 - TLC

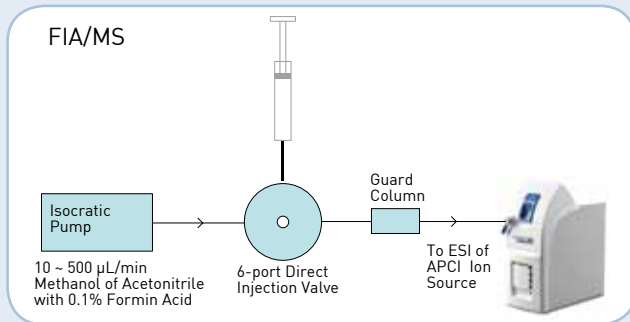
■ Software

- An inviting interface with powerful depth
 - Mass Express™, Data Express™.
- YL-Clarity both LC and MS with MS Extension only.



Maximize your Results and Investment

Elegant stand - alone Integrated solution

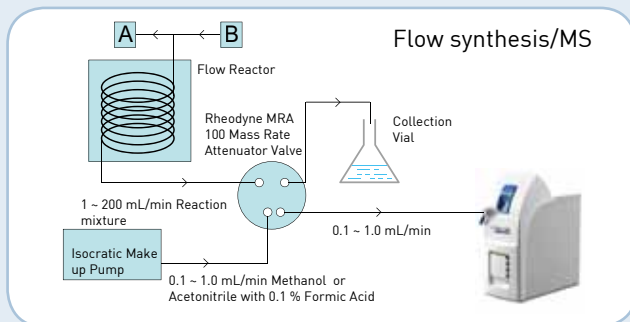
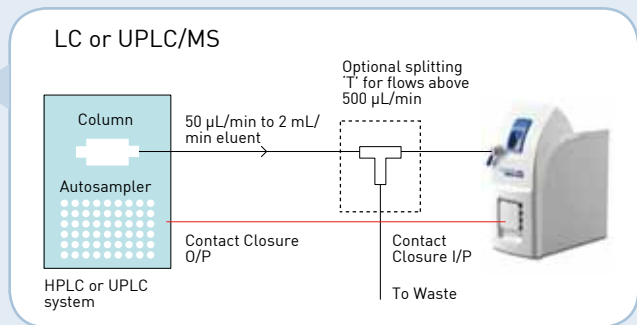


Flow Injection Analysis (Direct Injection)

Real-time reaction monitoring :
Understand kinetics and reach intelligent quench
decisions

LC or UPLC / MS

A mass detector which can be integrated into
existing HPLC and UPLC systems
Replacing expensive mass spectrometers
purchased from another era

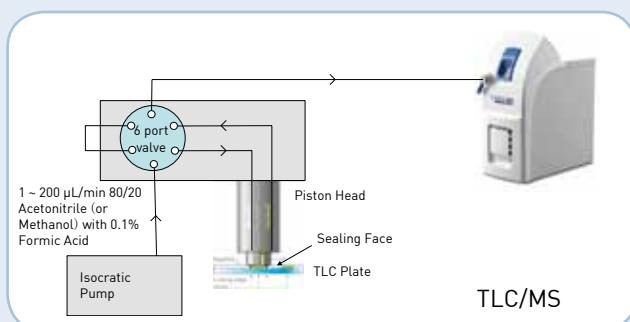
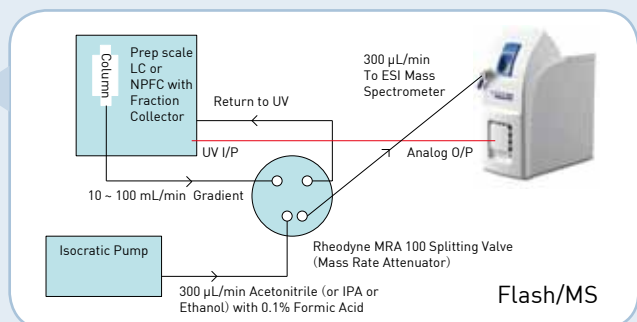


Flow Synthesis / MS

On-line flow chemistry reaction monitoring

Flash / MS

Mass directed (or Mass confirmed, UV directed)
fraction collection from normal phase flash
chromatography, prep LC and SFC.



TLC / MS

Mass confirmation of flash fraction :
Eliminate TLC plate spotting or 2nd guessing UV
peaks and TLC spots

Mass Express™ for the MS control Data Express™ for the Data processing

■ Simple!

We focused in the minimum steps and most efficient range of motion required for decision-bearing answer.

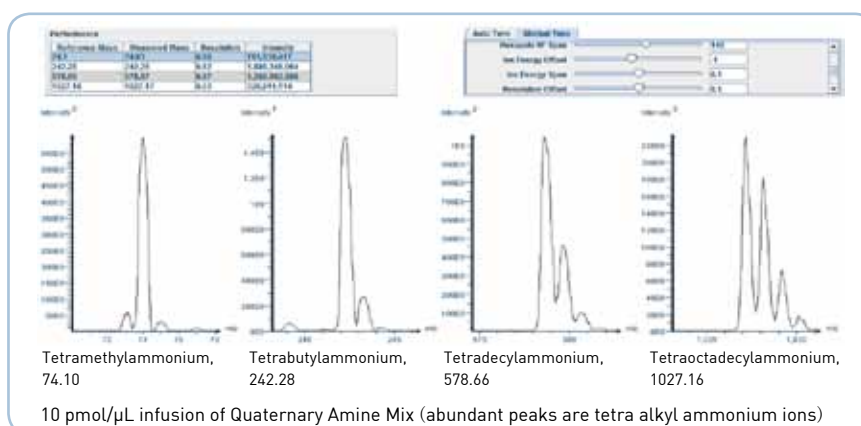
■ Ultimate confidence!

You can export cdf and csv files and you have thought of all possible options for data archiving and interpretation.

■ Auto tune

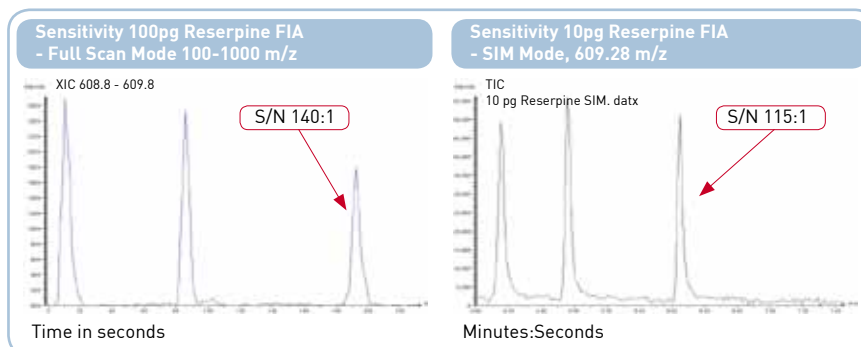
The YL9900 MS uses a pressurize calibrant delivery system for both positive and negative tuning mixes which are placed inside.

You can also set parameters manually.



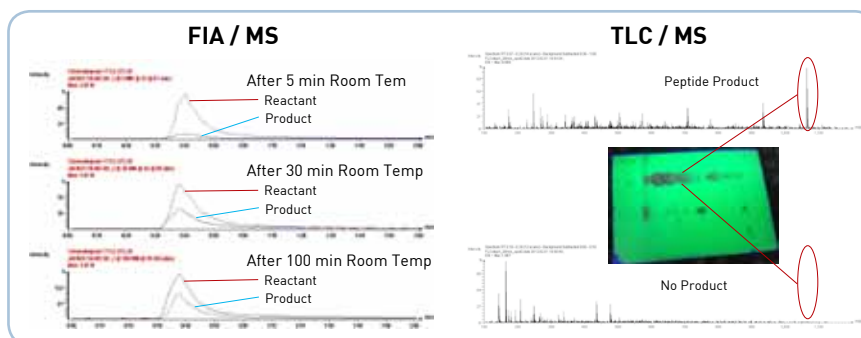
■ Sensitivity

You can overcome poor resolution with UV detector or other detectors. Selective ion mode gives you a high selectivity for all individual chemicals.



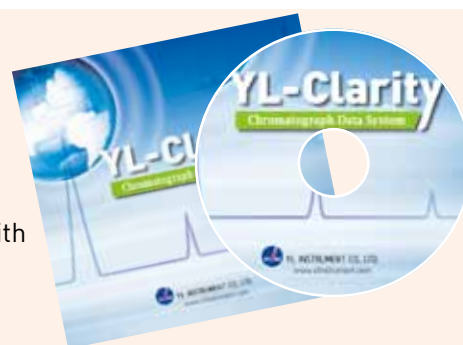
■ Application

Whether your application is FIA, Flash, LC, UPLC or flow reaction monitoring, our data acquisition and workflow approaches are the same.



Powerful YL-Clarity

- ✓ YL-Clarity integrates HPLC/MS control of all operation parameters
- ✓ You can use the optional NIST Library and User Library
- ✓ It is designed for 21 CFR Part 11 Compliance and fully compatible with all Windows OS.



The CHIEF MATE of your LAB!

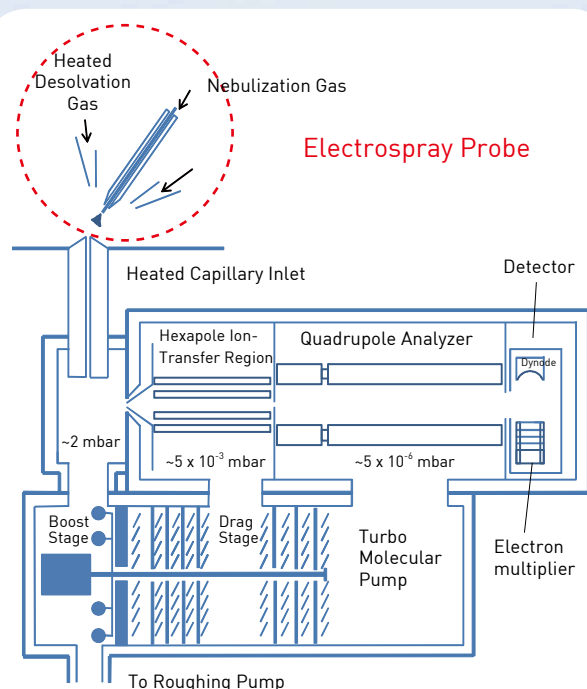
- ✓ **C**ompact Size
- ✓ **H**igh Performance
- ✓ **I**deal Design
- ✓ **E**asy Operation
- ✓ **F**ast Analysis

YL9900 MS

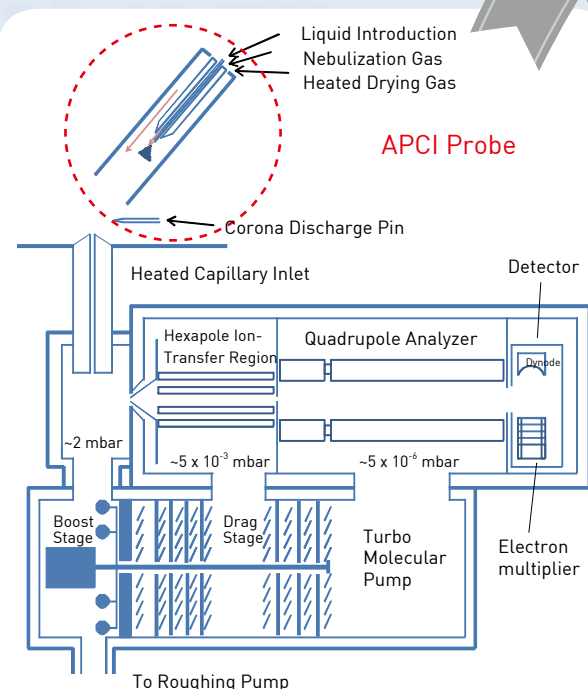
Unrivalled expertise in mass spectrometry
just for the chemist

Ionization
technique:
**Patent-
pending design**

ESI Electro spray Ionization



APCI Atmospheric Pressure Chemical Ionization



YL9900 MS


The smartest mass spec designed **just for Chemists!**

■ Specification

YL9900 MS	
Mass Analyzer	Single Quadrupole
Mass Range	10 - 1,200 m/z
Scan Speed	5,000 m/z/s
Ion Source	ESI / APCI (Option)
Polarity	Positive / Negative
HPLC Flow Rate	10 - 500 μ L/min
Resolution	0.5 - 0.7 m/s (FWHM) at 1,000 m/z/s
Sensitivity	10 pg reserpine (FIA - 5 μ L injection at 100 μ L/min) 100:1 S/N (RMS) with SIM of m/z 609.28 100 pg reserpine (FIA - 5 μ L injection at 100 μ L/min) 100:1 S/N (RMS) with full-scan acquisition from m/z 100 to m/z 1,200
Accuracy	\pm 0.1 m/z
Stability	0.1 m/z over 12 hour
Gas	N ₂ , 98 %, 60 psi
Gas Consumption	8 L/min
Weight	32 kg
Dimensions (H x W x D, mm)	660 x 280 x 560
Power Consumption	Max. 300 VA (MS) Max. 550 VA (Rotary pump)
Software	Mass Express™ / Data Express™ YL-Clarity
Warranty	1 year



YL INSTRUMENT CO., LTD.

The iDEA makes iDEAL!  KOREA MADE

Young Lin Bldg., 899-6, Hogye-dong, Anyang, 431-836, Korea

TEL: 82-31-428-8700 / FAX: 82-31-428-8779

E-mail: export@younglin.com

Homepage: : www.younglin.com



These Products are manufactured by Young Lin
ISO 9001-certified facility that is periodically audited by the
registering body to ensure compliance